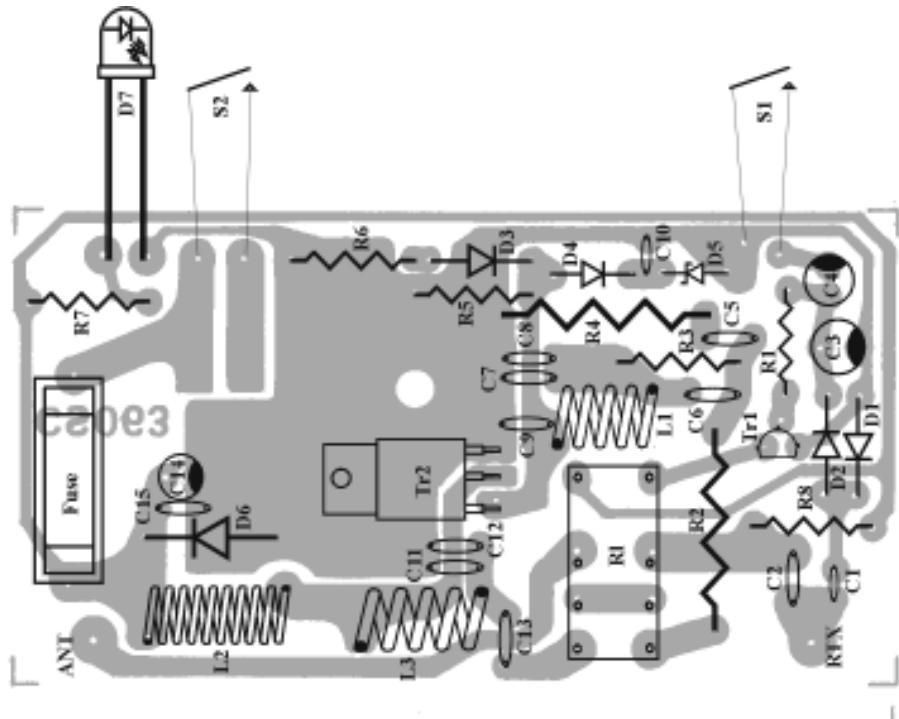
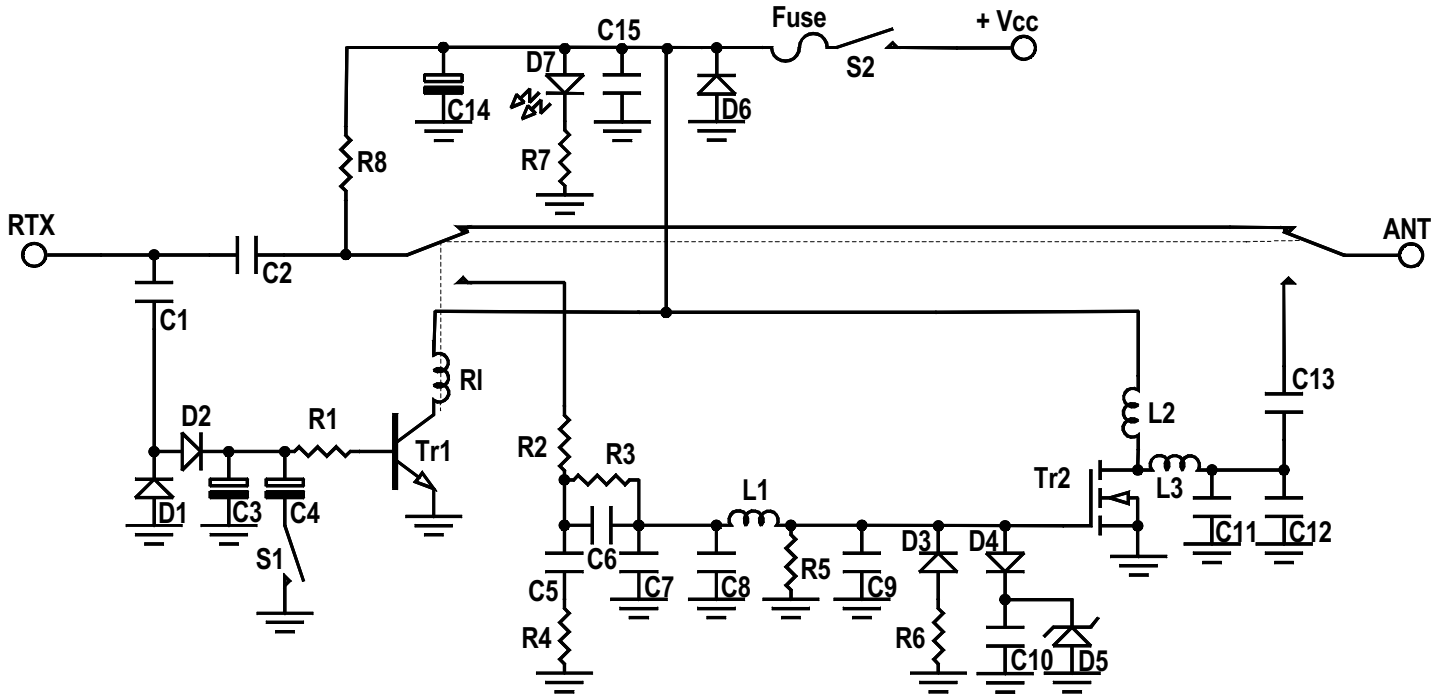


KL 60 linear amplifier

Schematic diagram

Version 3.00



List of components

C ₁	= 8,2 pF	50 V	N750
C ₂	= 10 nF	50 V	
C ₃	= 4,7 μF	16 V	
C ₄	= 22 μF	16 V	
C ₅	= 10 nF	50 V	
C ₆	= 470 pF	50 V	N750
C ₇	= 220 pF	50 V	N750
C ₈	= 120 pF	50 V	N750
C ₉	= 270 pF	50 V	N750
C ₁₀	= 10 nF	50 V	
C ₁₁	= 150 pF	50 V	N750
C ₁₂	= 150 pF	50 V	N750
C ₁₃	= 100 pF	50 V	N750
C ₁₄	= 10 μF	16 V	
C ₁₅	= 100 nF	50 V	
R ₁	= 2,2 KΩ	¼W	
R ₂	= 39 Ω	2W	
R ₃	= 12 KΩ	¼W	
R ₄	= 100 Ω	2W	
R ₅	= 4,7 KΩ	¼W	
R ₆	= 1,8 KΩ	½W	
R ₇	= 1,0 KΩ	¼W	
R ₈	= 12 KΩ	¼W	
D ₁ = D ₂ = D ₃ = D ₄	= 1N4148		
D ₅	= Zener	20 V 1W	
D ₆	= 1N4004		
D ₇	= Led		
TR ₁	= BC 547		
TR ₂	= MOS RM3		
S ₁	= Switch (AM - SSB)		
S ₂	= Switch (ON - OFF)		
L ₁	= 7 turns φ 5 mm wire φ 0,8 mm		
L ₂	= 12 turns φ 5 mm wire φ 0,8 mm		
L ₃	= 6 turns φ 5 mm wire φ 0,8 mm		
RI	= Relè 12 V 3022		
Fuse	= 5 A		