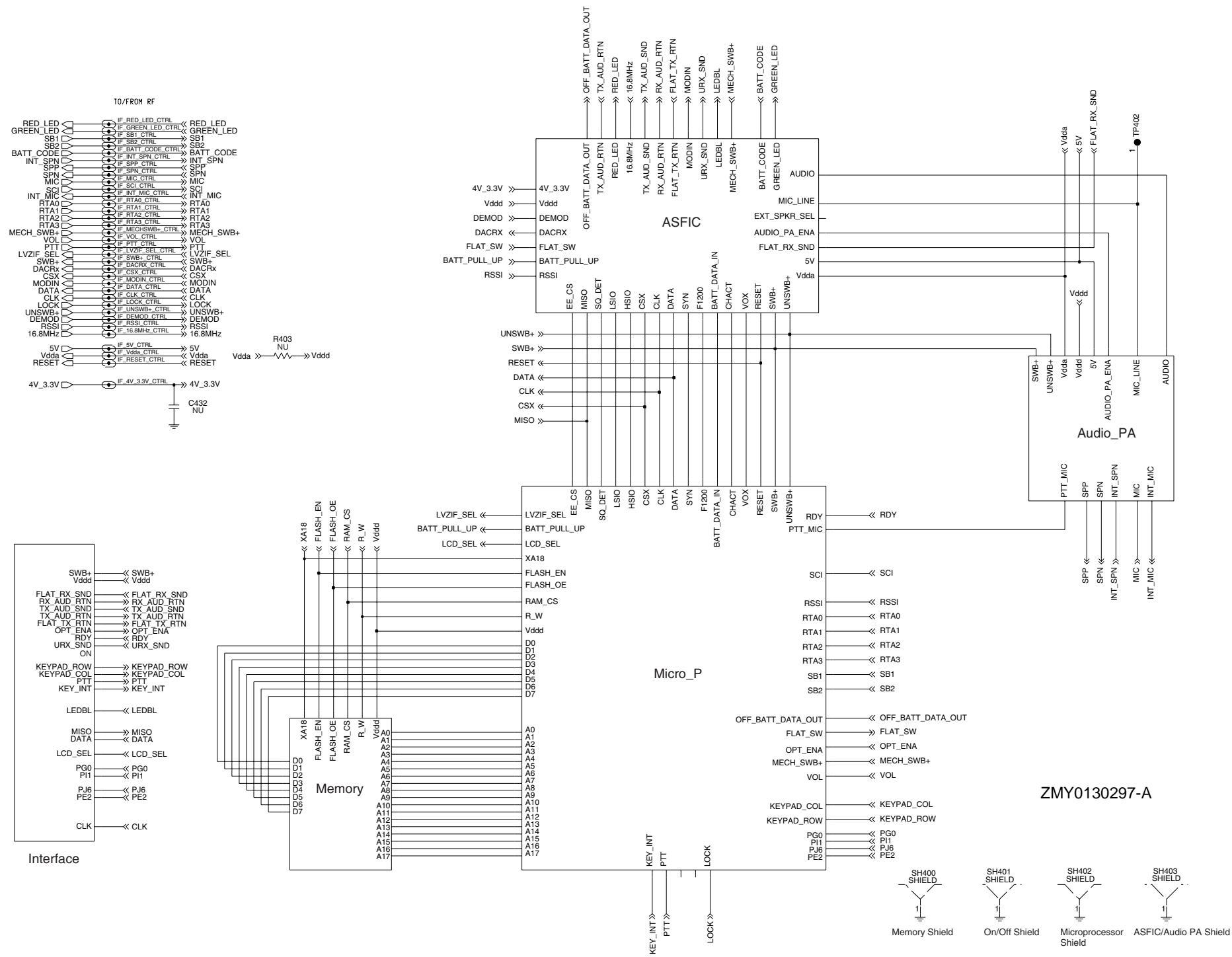
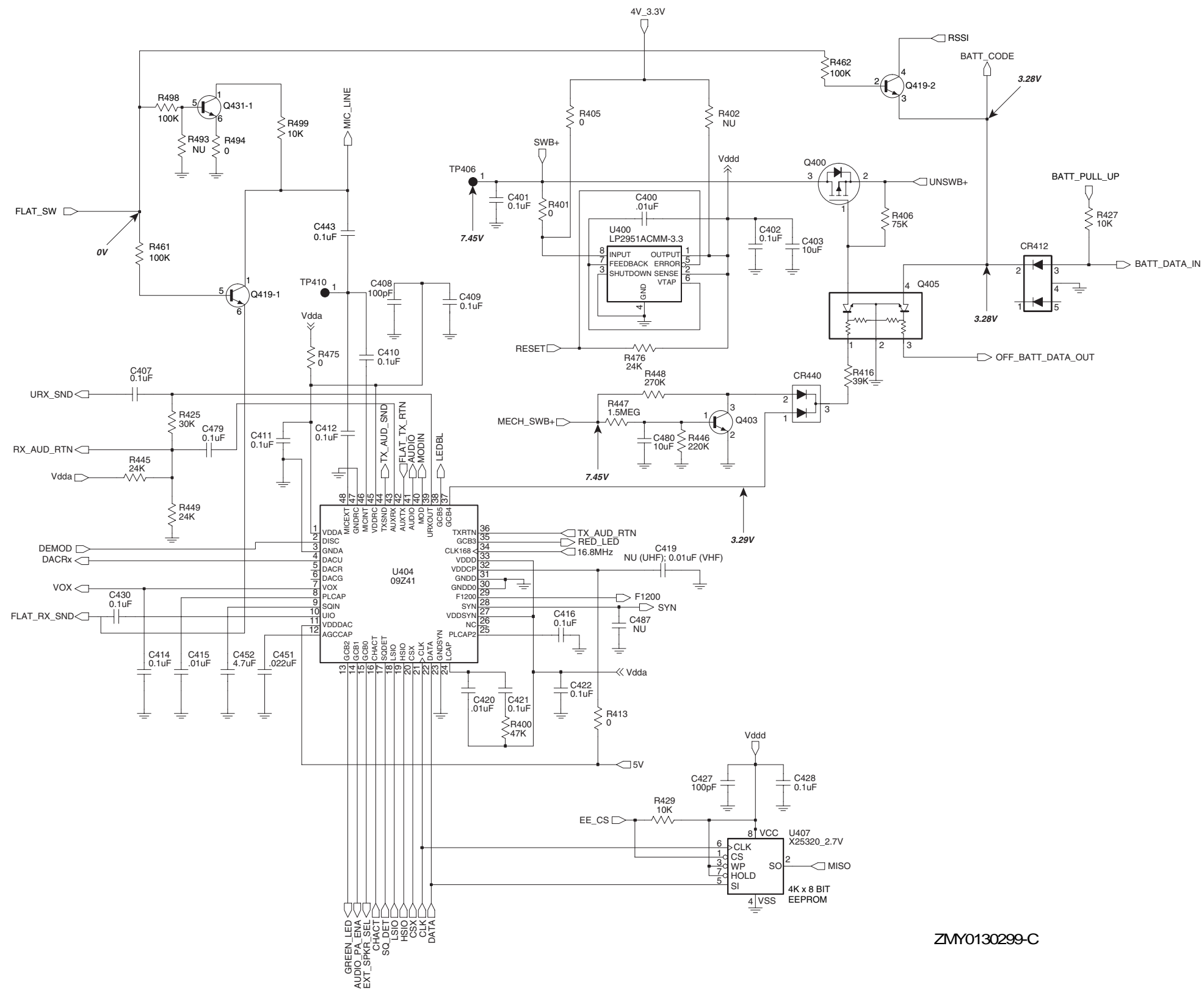


2.0 Controller Schematics (PCBs 8480675Z01, 8480672Z01 and 8485755Z01)

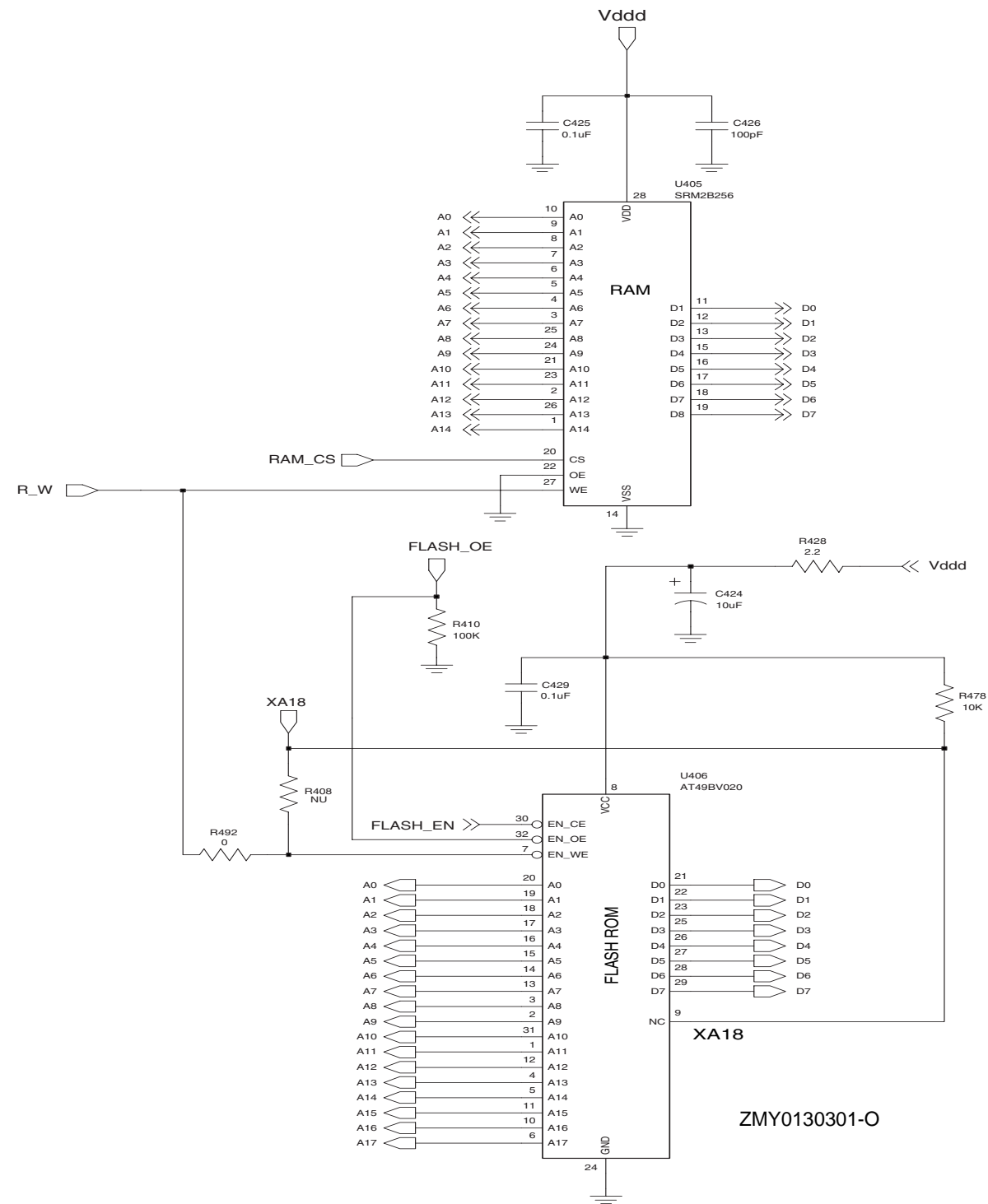


Complete Controller Schematic Diagram

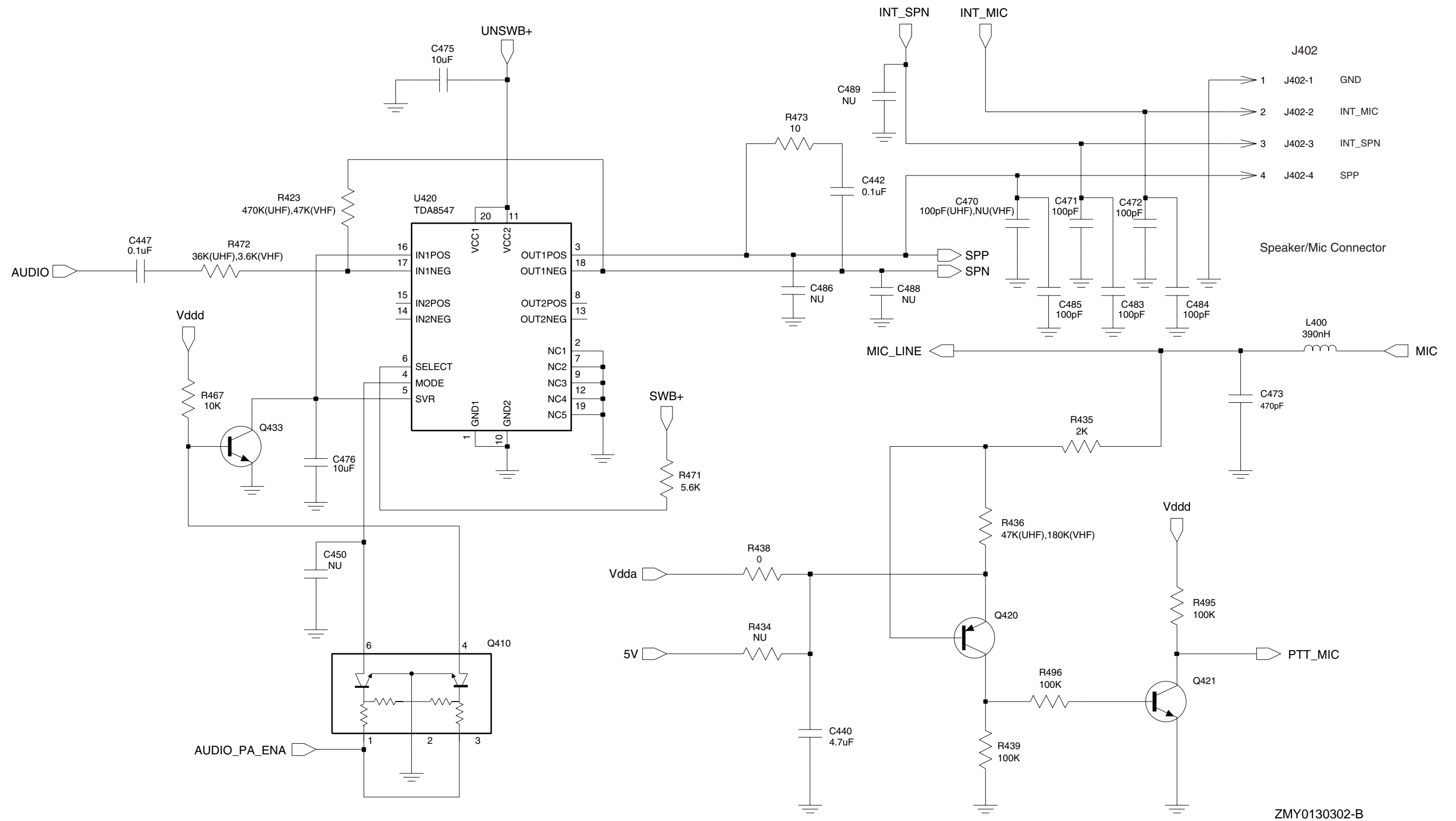


ZMY0130299-C

Controller ASFIC/ON_OFF Schematic Diagram

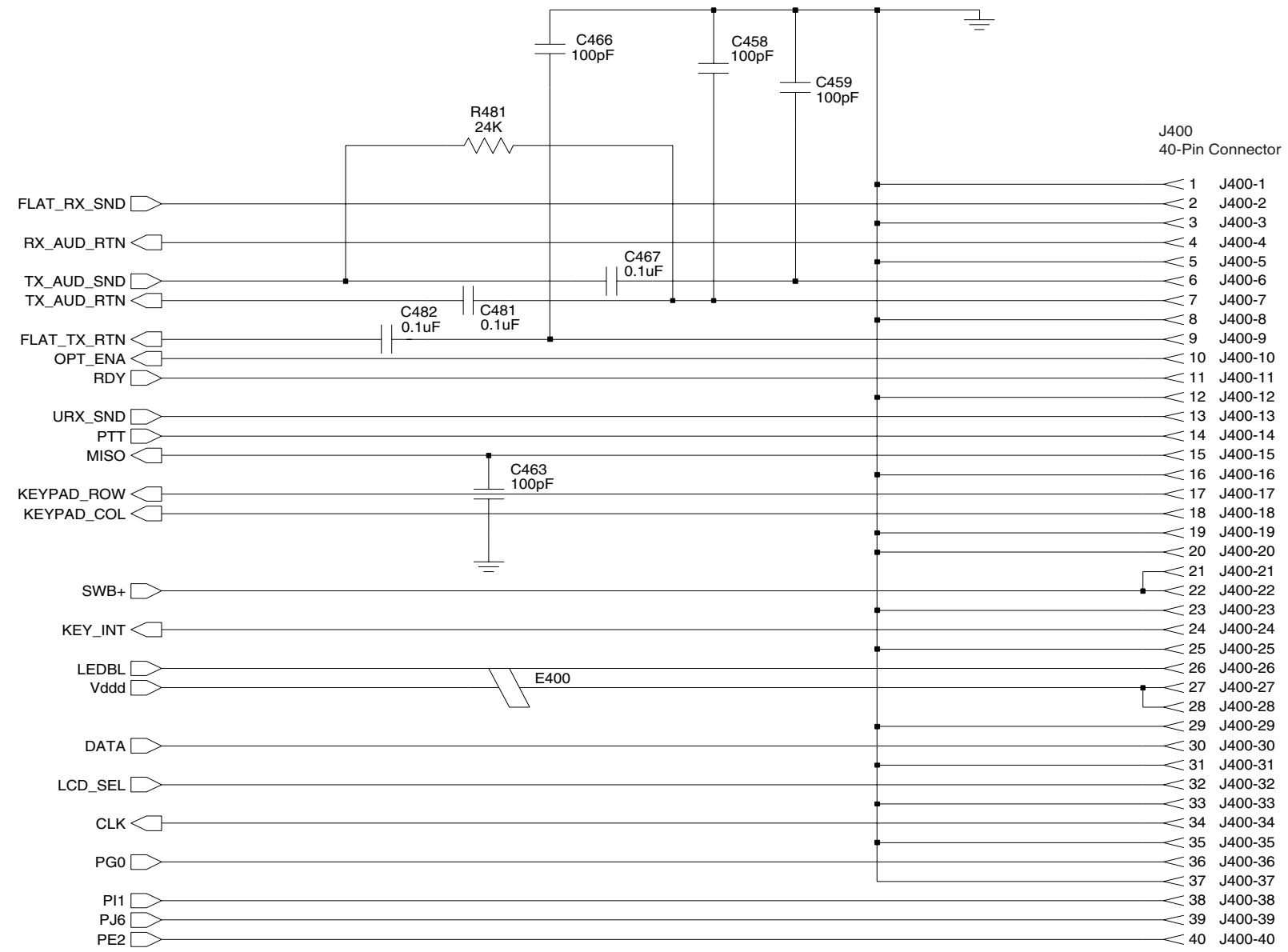


Controller Memory Schematic Diagram



ZMY0130302-B

Controller Audio Power Amplifier Schematic Diagram



ZMY0130303-O

Controller Interface Schematic Diagram