

VI-10669			
REV	OCN #	DATE	APR
A	014374	05 SEP 02	SMP
B	016823	14 MAR 03	SMP

NOTES:

- ENVIRONMENTAL SPECIFICATIONS:
OPERATING TEMPERATURE RANGE: -30°C TO +75°C
STORAGE TEMPERATURE RANGE: -40°C TO +85°C
- PACKAGING & SHIPMENT:
ASSEMBLY TO BE SHIPPED IN CLEAR PLASTIC BAG WITH A LABEL ON THE BAG AND CARTON.
- MICROPHONE/SWITCH ASSEMBLY SPECIFICATIONS:
MICROPHONE ELECTRICAL: MEASURED AT 2.5 VDC,
94 dB SPL, 1.0 Hz, AND 2.2 K Ω LOAD.
IMPEDANCE: 1600 Ω ±30%
SENSITIVITY: -44 dB ±4 dB
MAX. CURRENT DRAIN: 500 uA @ 5.0 VDC
OPERATING FREQUENCY RANGE: 300 Hz TO 3000 Hz
OPERATING VOLTAGE RANGE: 1.5 V TO 10 V.

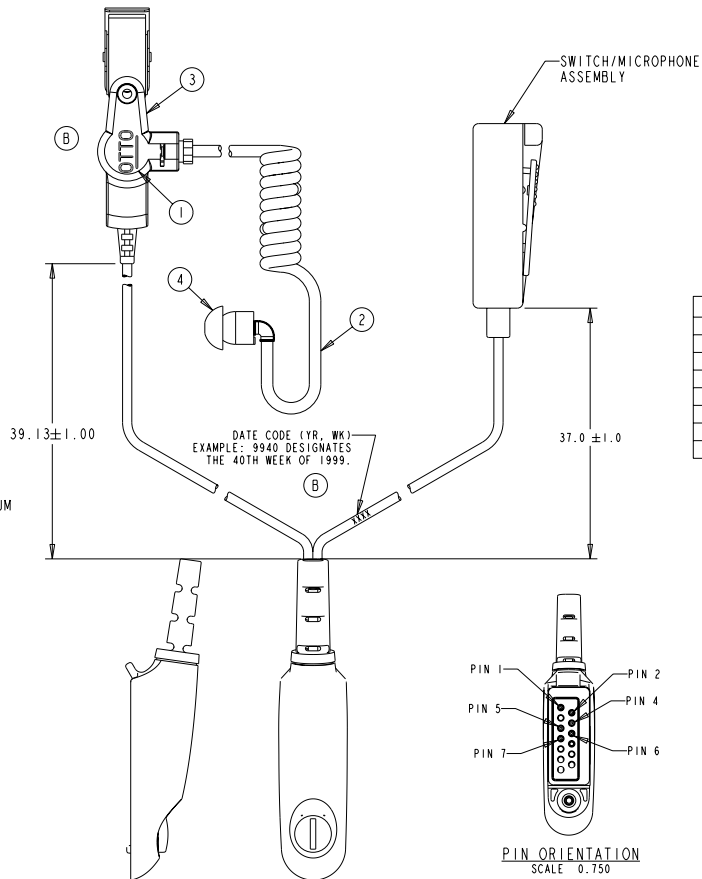
MICROPHONE/SWITCH MECHANICAL:
ASSEMBLY SHALL BE ABLE TO WITHSTAND A 10 LB. AXIAL PULL
OPERATING FORCE: 1.5 - 2.0 LB.
SWITCH MUST ACTIVATE WHEN PUSHED ON ANY PORTION OF THE LEVER.
- EARPHONE SPECIFICATIONS:
ELECTRICAL:
IMPEDANCE: 270Ω ±30% 1 kHz (B)
AVERAGE SPL (300 Hz TO 3.0 kHz):
90 dB SPL MINIMUM, MEASURED WITH .500 VRMS INPUT

EARPIECE SPL LEVEL MEASURED WITH A B&K ARTIFICIAL EAR TYPE 4152
EARPIECE MEASURED WITH THE ADAPTER AND ACOUSTIC TUBE
USING THE 2 cm³ COUPLER (B&K DB0138).

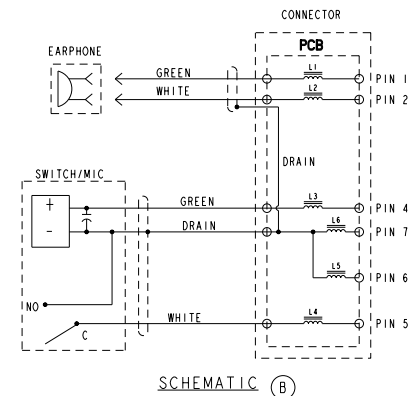
MAXIMUM POWER HANDLING CAPABILITY: MUST BE ABLE TO SUSTAIN A MINIMUM
OF 3.46 VRMS WITHOUT INCURRING A DEGRADATION IN AUDIO PERFORMANCE.
- CONNECTOR SPECIFICATIONS:
MECHANICAL:

AN INDIVIDUAL CABLE SHALL WITHSTAND 40 LB. AXIAL PULL TO THE
CONNECTOR END WITHOUT AFFECTING ELECTRICAL PERFORMANCE OR PHYSICAL
APPEARANCE.

CABLE SHALL WITHSTAND 10,000 FLEX CYCLES MINIMUM
WITH A 1 LB. LOAD APPLIED TO CABLE.
- GENERAL SPECIFICATIONS:
COLOR: BLACK



REPLACEMENT PARTS		
1	EARPHONE (QTY. 1)	C101115-2 (B)
2 & 4	ACOUSTIC TUBE W/EARTIP ASSY (QTY. 1)	C101199/C101199-05 (B)
2, 3, & 4	ACOUSTIC TUBE & ADAPTER ASSY., BLACK (QTY. 1)	C101220-2 (B)
3	O.D. ADAPTER W/CLOTHING CLIP	C101222-2 (B)
4	CLEAR EARTIPS (QTY. 1 / QTY. 10)	C800947/C100569
4 (OPT.)	NOISE ATTENUATING PLUGS	C100733
4 (OPT.)	LEFT, MEDIUM, OPEN EAR INSERT (QTY. 1)	C806573-LM
4 (OPT.)	RIGHT, MEDIUM, OPEN EAR INSERT (QTY. 1)	C806573-RM



UNLESS OTHERWISE SPECIFIED: DIMENSIONS ARE IN INCHES. TOLERANCES: .XX ±.03 .XXX ±.010 ANGLES ±.2° DO NOT SCALE THIRD ANGLE PROJECTION

MANUFACTURING SPC

OTTO CONTROLS
DIVISION OF
OTTO ENGINEERING INC.
CARPENTERSVILLE, ILLINOIS USA

THIS DOCUMENT IS THE CONFIDENTIAL PROPERTY OF OTTO ENGINEERING, INC.. IT IS PROVIDED ON A RESTRICTED BASIS AND IS NOT TO BE USED IN ANY WAY DETRIMENTAL TO THE INTERESTS OF OTTO ENGINEERING, INC..

DESCRIPTION
VI, 2 WIRE KIT W/ACOUSTIC TUBE
OTTO, BLACK, WARIS

DRWN. SMP	SIZE	FSCM NO	DRAWING NO.	REV.
CHKD. SMP	B	21649	VI-10669	B
APPD. JT	DATE 28-Aug-02	WT.	Scale NTS	Sheet 1 OF 1