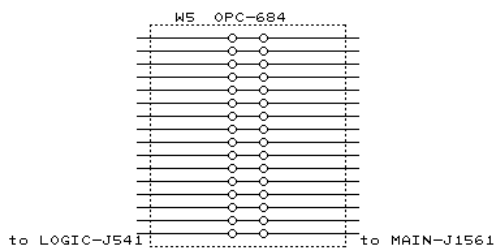
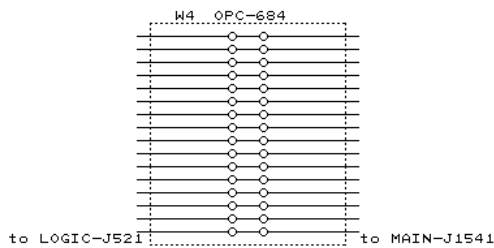
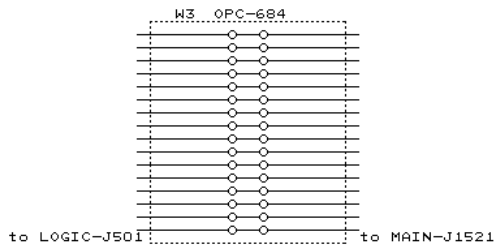
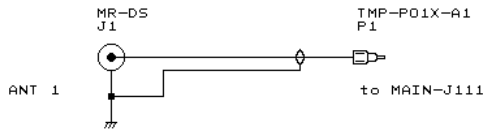
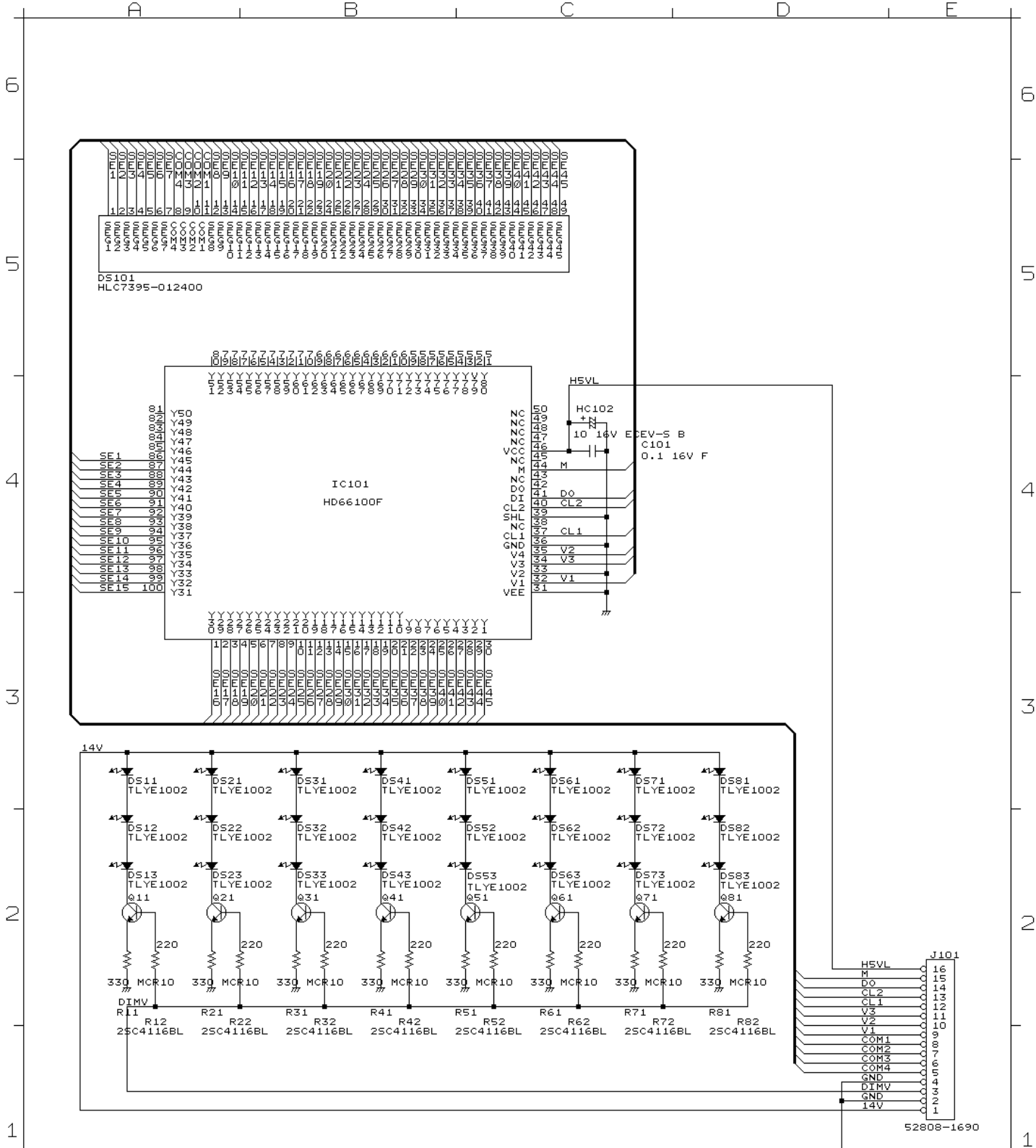


S Z O H S H C M R	1	.	.	7	.	.	APPD.	CHKD.		DWN. BY:	DATE	1999.02.24	MODEL	IC-R75	
	2	.	.	8	.	.									
	3	.	.	9	.	.						General			
	4	.	.	10	.	.						Interconnections			
	5	.	.	11	.	.							DWN. NO.	-5C1	
	6	.	.	12	.	.									
										ICOM		Icom Inc.			



S Z O C H I S I S I O N	1	.	.	DATE 1999. 02 . 24	MODEL IC-R75	
	2	.	.	CHASSIS UNIT		
	3	.	.	SCHEMATIC DIAGRAM		
	4	.	.	DWN. NO.	A3-6C1	
	5	.	.	APPD.	CHKD.	DWN. BY:
	6	.	.			
	7	.	.			
	8	.	.	ICOM		Icom Inc.



S20H0H0V0E0R	1			DATE 1999. 02 . 24	MODEL IC-R75
	2	.	.	DISPLAY BOARD	
	3	.	.	SCHMATIC DIAGRAM	DWN. NO. A4-6C5
	4	.	.	APPD. CHKD.	DWN. BY:
	5	.	.		
	6	.	.		
	7	.	.		
	8	.	.	ICOM	Icom Inc.

A

B

C

D

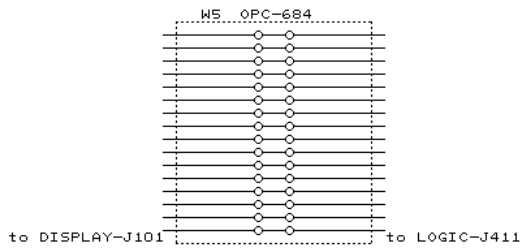
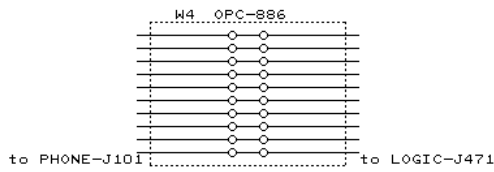
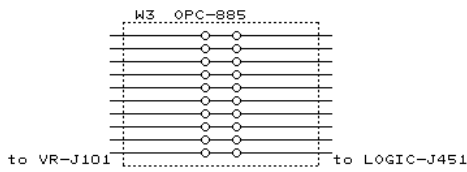
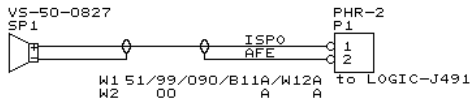
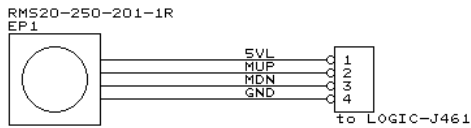
E

6

6

5

5



4

4

3

3

2

2

1

1

A

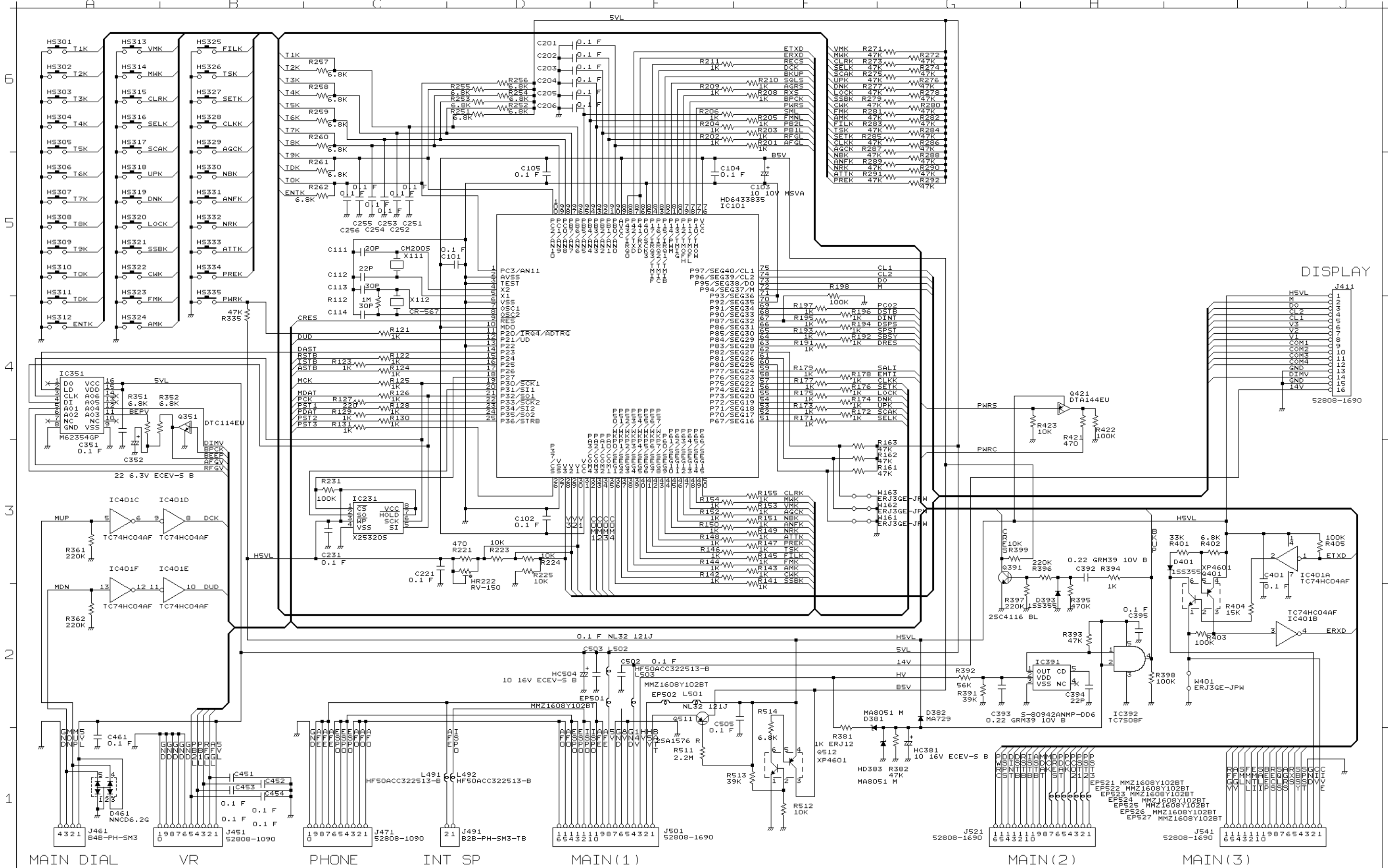
B

C

D

E

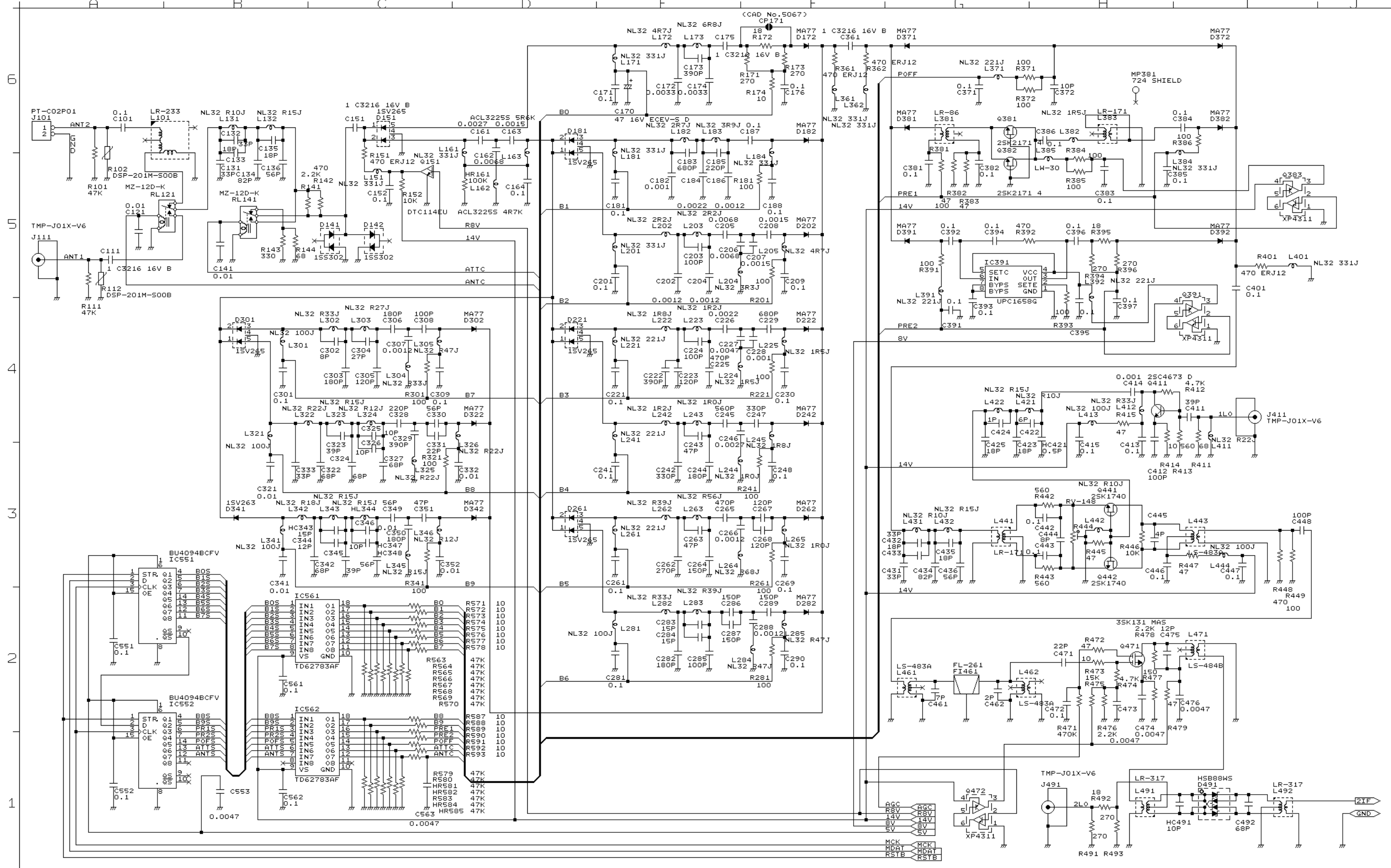
REVISION	1	.	.	DATE 1999. 02 . 24	MODEL IC-R75	
	2	.	.	FRONT UNIT SCHEMATIC DIAGRAM		
	3	.	.			DWN. NO. A4-6C1
	4	.	.	APPD.	CHKD.	DWN. BY:
	5	.	.			
	6	.	.			
	7	.	.			
	8	.	.	ICOM		Icom Inc.



REV	1	.	.	7	.	APPD.	CHKD.	DWN. BY:	DATE	1999.02.24	MODEL	IC-R75
	2	.	.	8	.							
	3	.	.	9	.							
	4	.	.	10	.				LOGIC BOARD			
	5	.	.	11	.				SCHEMATIC DIAGRAM		DWN. NO.	A4-6C2
	6	.	.	12	.							

ICOM

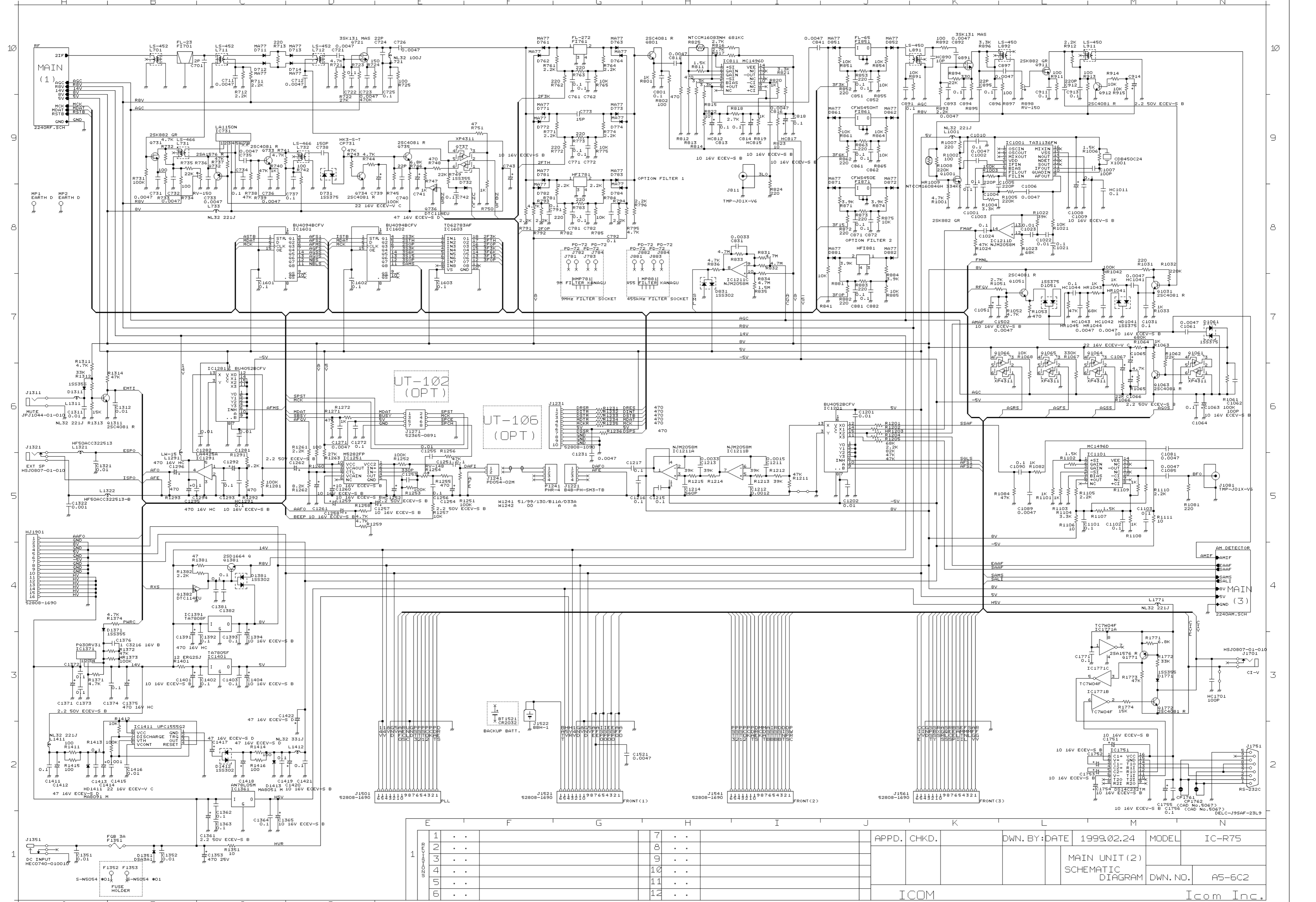
Icom Inc.



1	.	.	7	.	APPD.	CHKD.	DWN. BY: DATE	1999.02.24	MODEL	IC-R75
2	.	.	8	.	MAIN UNIT (1) SCHEMATIC DIAGRAM DWN. NO. A5-6C1 Icom Inc.					
3	.	.	9	.						
4	.	.	10	.						
5	.	.	11	.						
6	.	.	12	.						

ICOM

Icom Inc.



1	.	.	7	.	APPD. CHKD.	DWN. BY: DATE	1999.02.24	MODEL	IC-R75
2	.	.	8	.					
3	.	.	9	.					
4	.	.	10	.					
5	.	.	11	.					
6	.	.	12	.					

MAIN UNIT (2)  
SCHEMATIC  
DIAGRAM

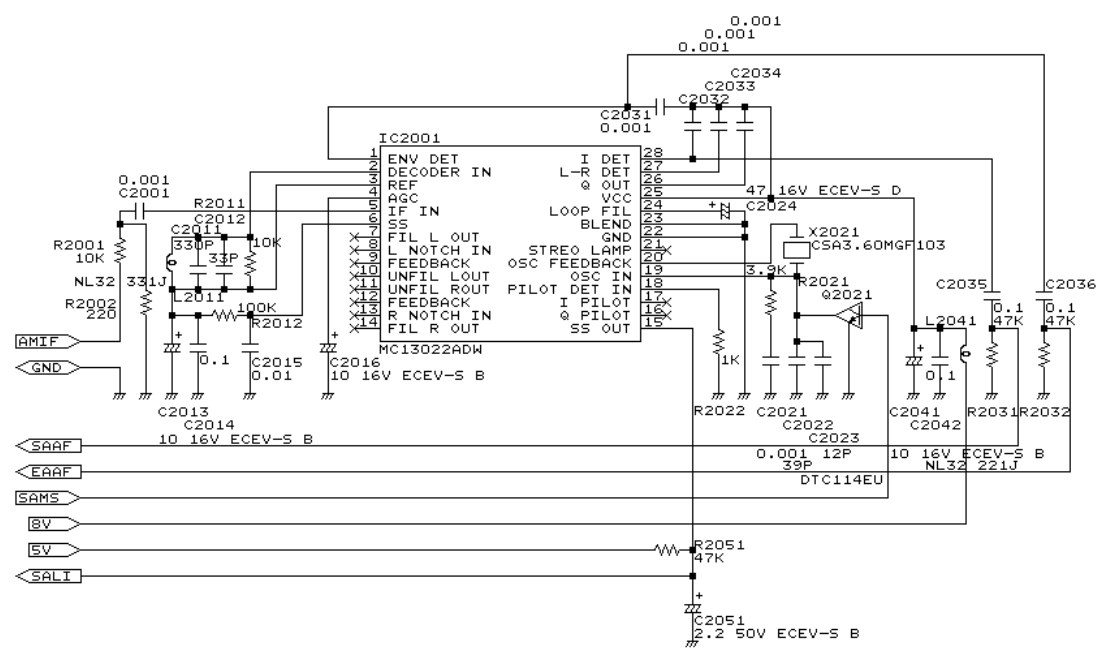
DWN. NO. A5-6C2

ICOM Icom Inc.

A B C D E

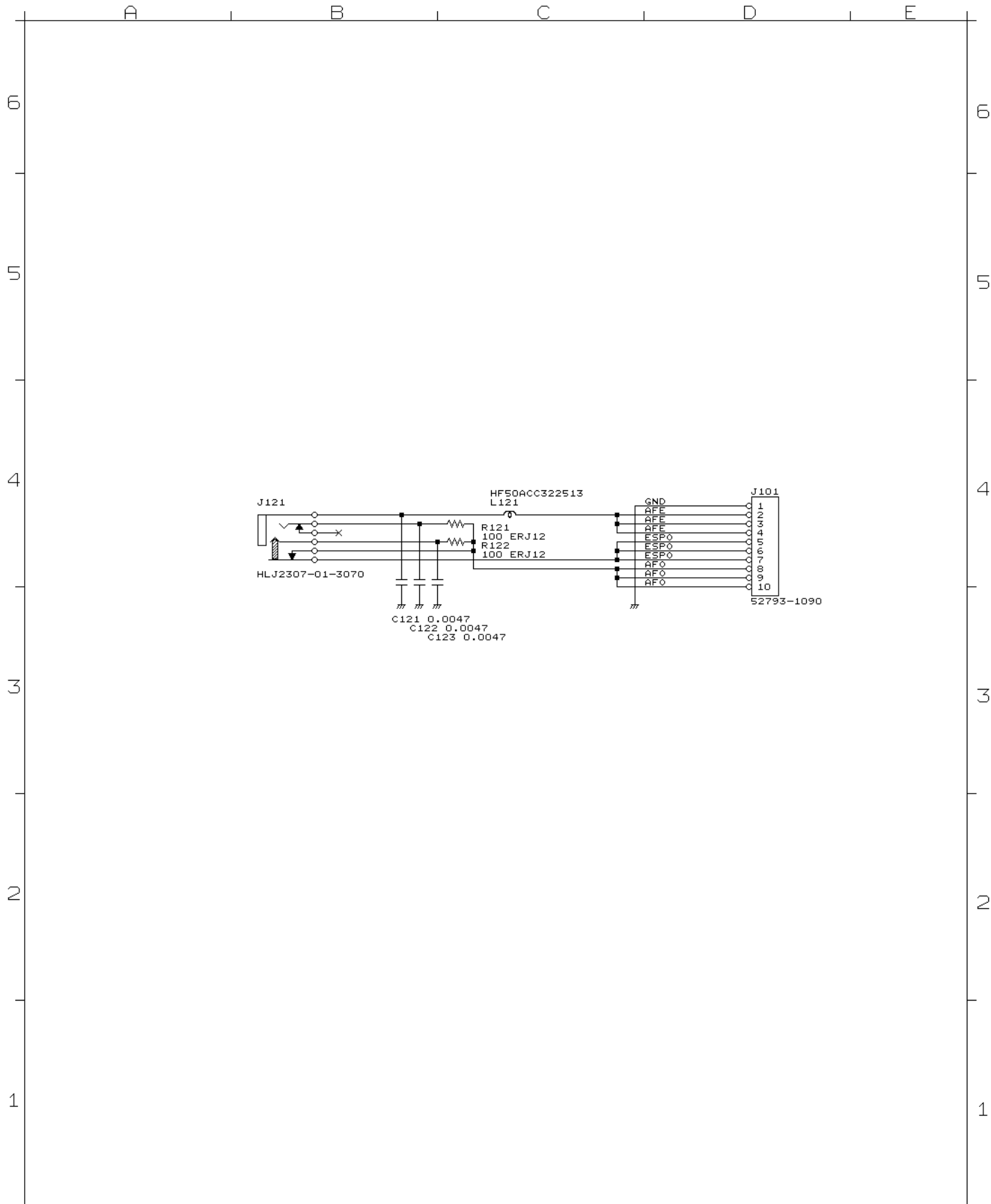
6  
5  
4  
3  
2  
1

6  
5  
4  
3  
2  
1



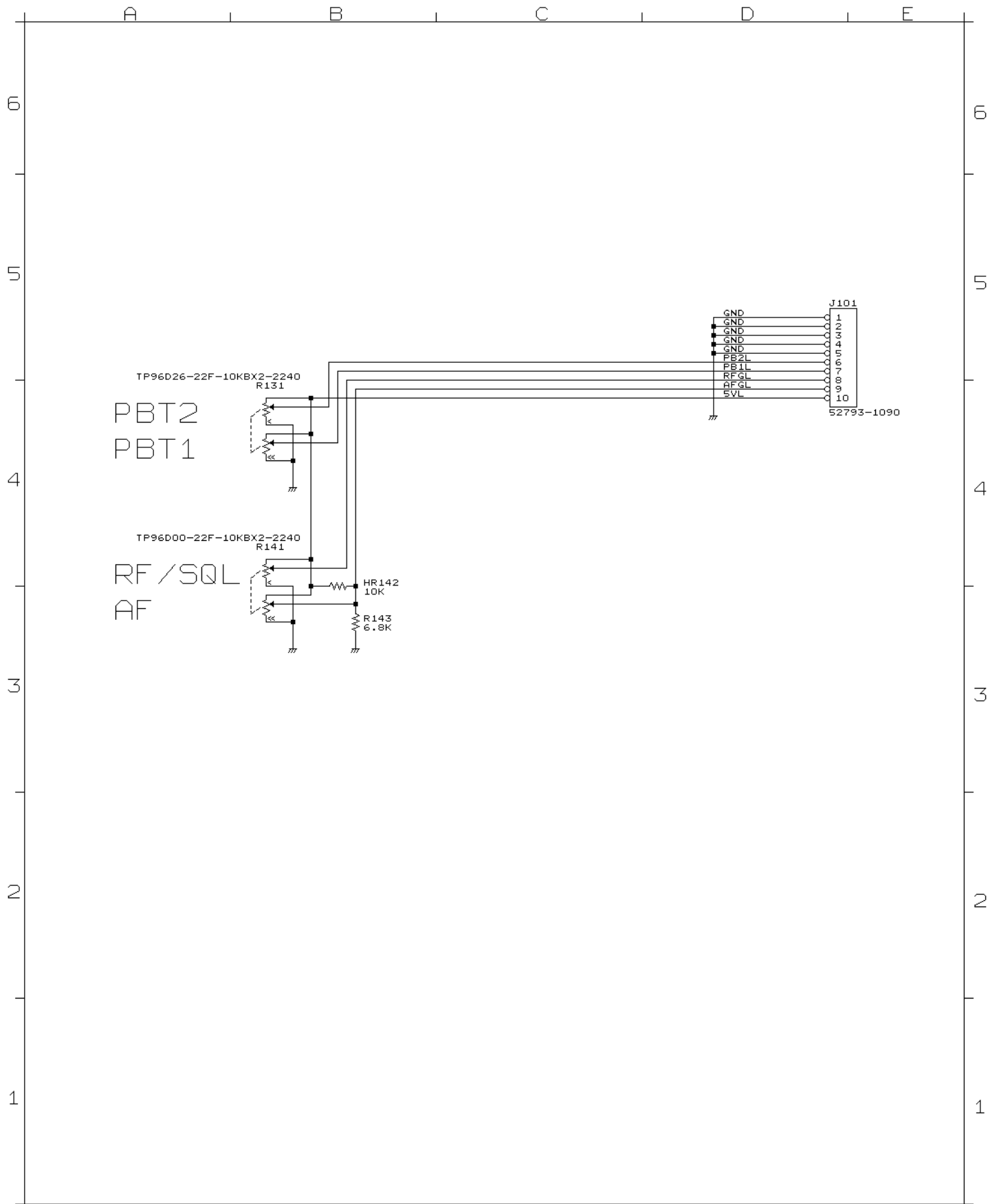
S C H E M A T I C D I A G R A M	1	.	.	DATE 1999. 02 . 24	MODEL IC-R75	
	2	.	.	MAIN UNIT (3)		
	3	.	.	SCHEMATIC DIAGRAM		
	4	.	.	DWN. NO. A5-6C3		
	5	.	.	APPD.	CHKD.	DWN. BY:
	6	.	.			
	7	.	.			
	8	.	.	ICOM		Icom Inc.





S Z O C H I S I S S E	1	.	.	DATE 1999. 02 . 24	MODEL IC-R75	
	2	.	.	PHONE BOARD		
	3	.	.	SCHMATIC DIAGRAM	DWN. NO. A4-6C3	
	4	.	.	APPD.	CHKD.	DWN. BY:
	5	.	.			
	6	.	.			
	7	.	.			
	8	.	.	ICOM	Icom Inc.	





S Z O C H I S I S I O N	1	.	.	DATE 1999. 02 . 24	MODEL IC-R75	
	2	.	.	VR BOARD		
	3	.	.	SCHEMATIC DIAGRAM		
	4	.	.	DWN. NO. A4-6C4		
	5	.	.	APPD.	CHKD.	DWN. BY:
	6	.	.			
	7	.	.			
	8	.	.	ICOM		Icom Inc.