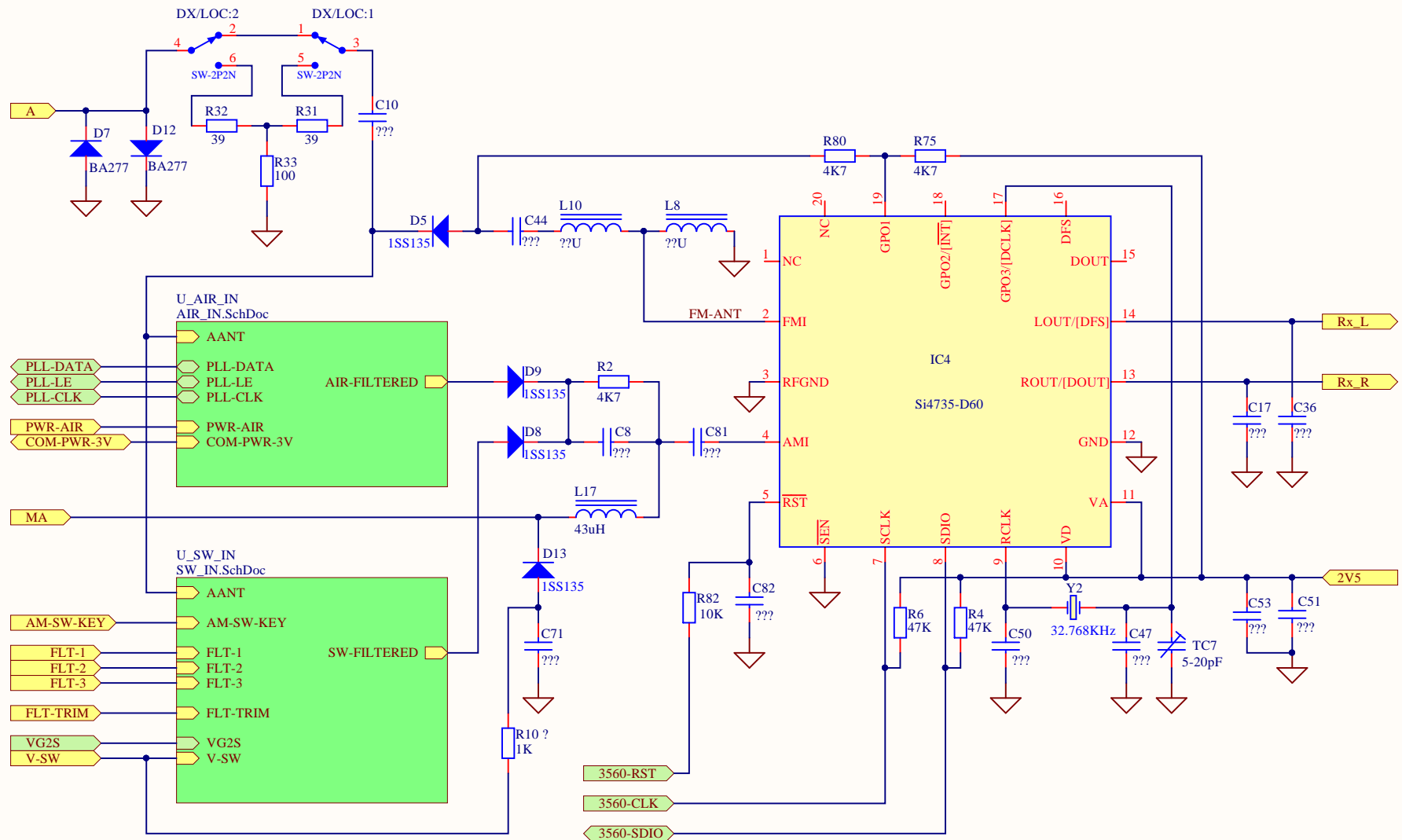
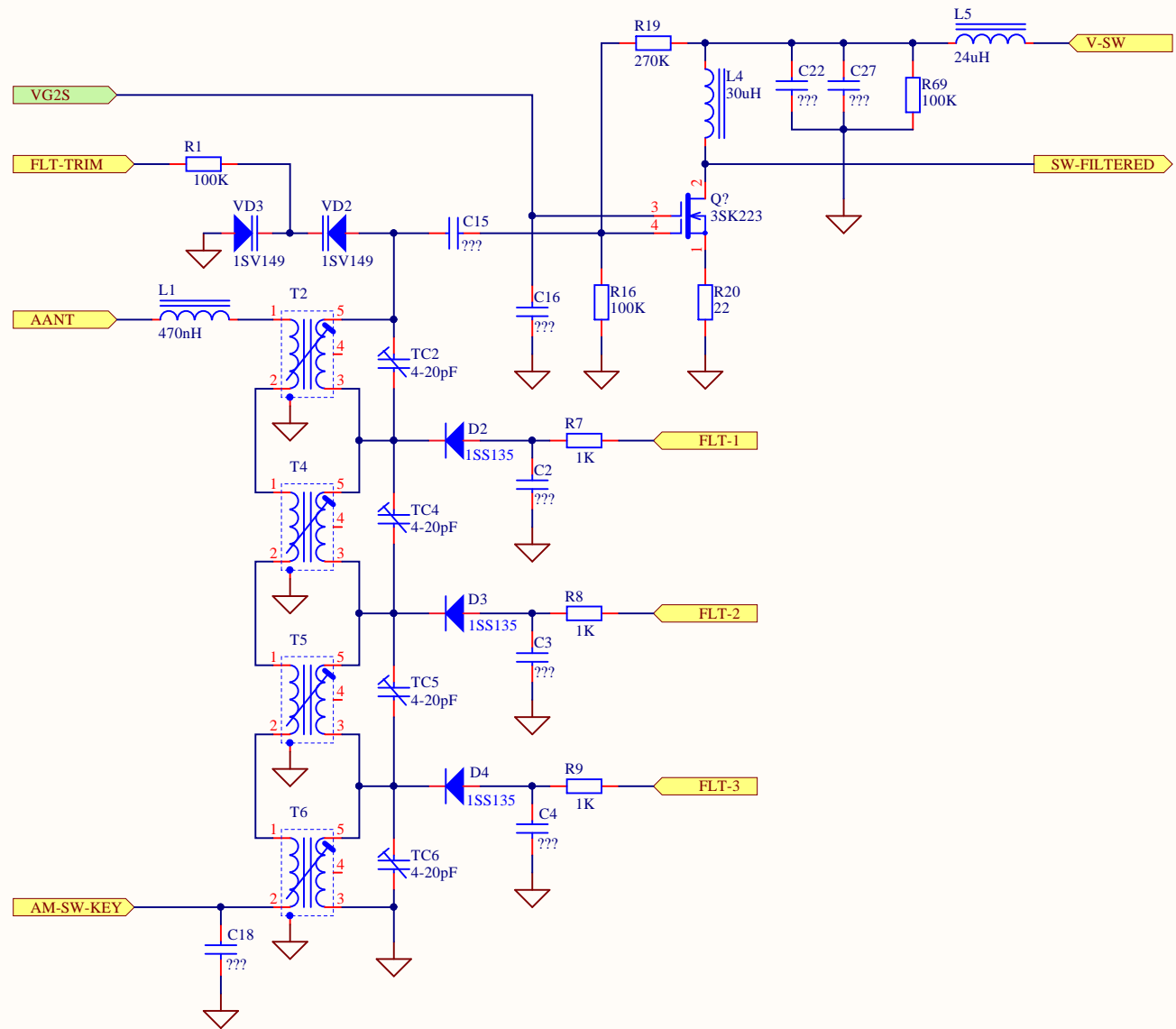


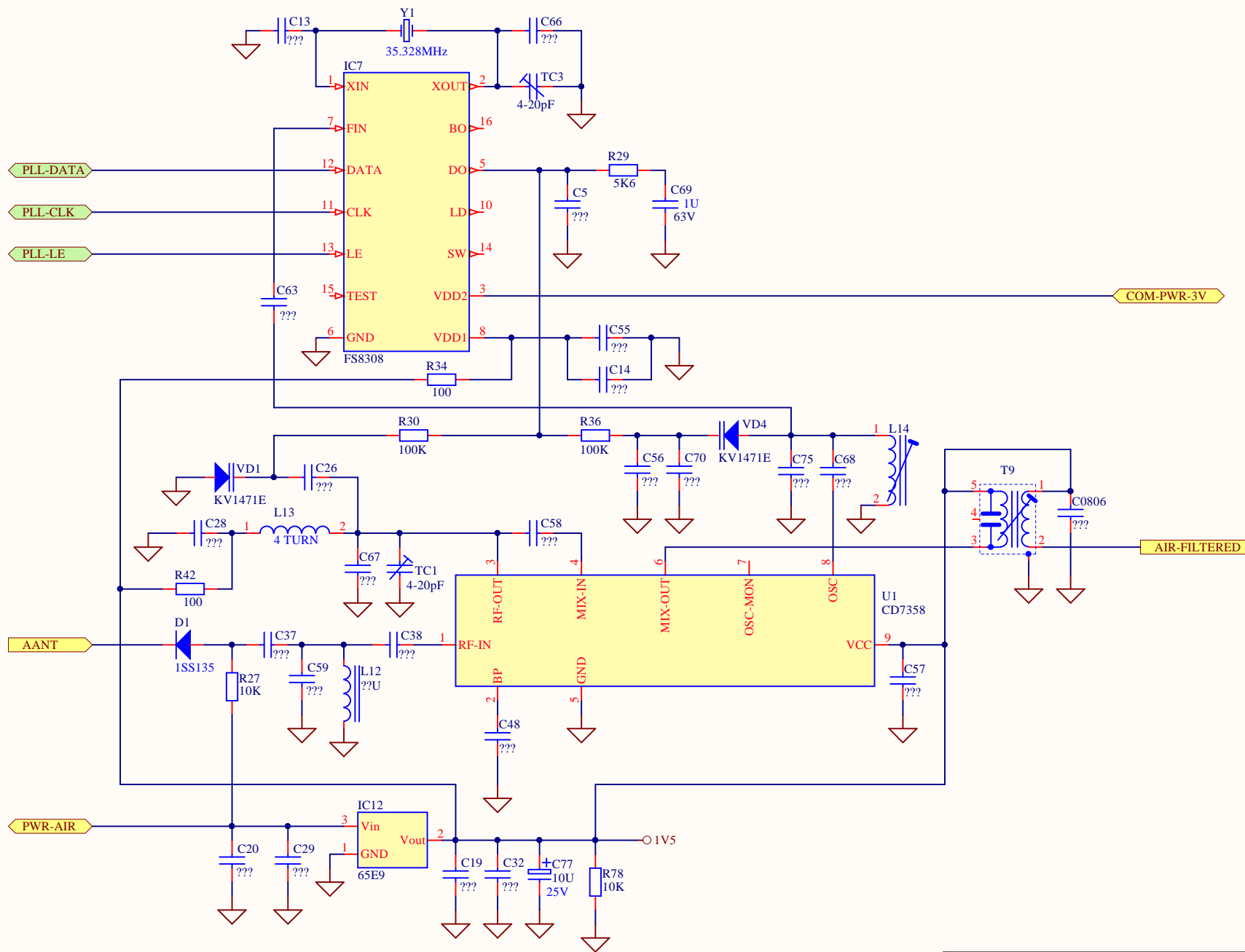
Title ETON SATELLIT receiver		
Size A4	Document Number ETON G3 PCB V07 2015.01.15	Revision 1
Date 16.05.2017	Sheet 1 of 1	
File ETON SATELLIT.SchDoc	Drawn By *	



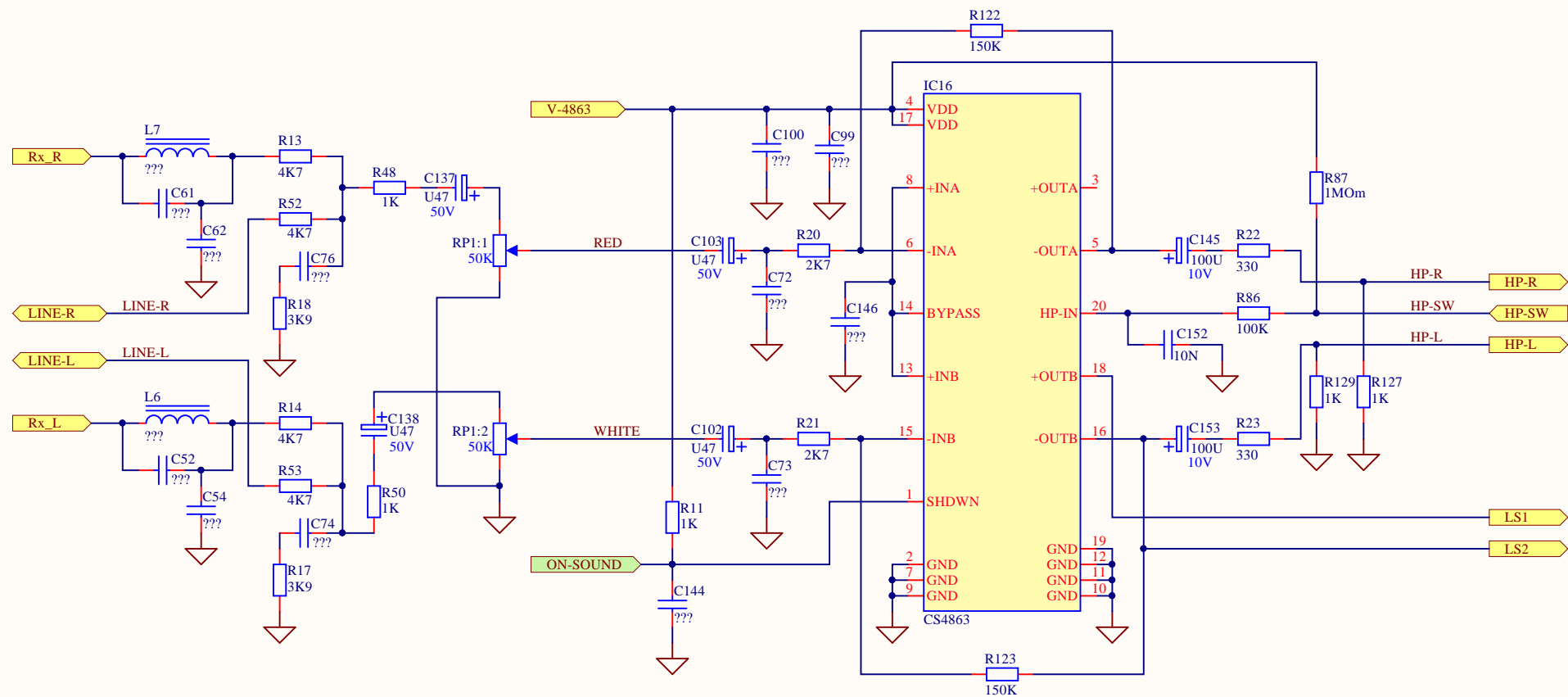
Title Receive circuit		
Size A4	Document Number ETON G3 PCB V07 2015.01.15	Revision 1
Date 16.05.2017	Sheet 1 of 1	
File Receiver.SchDoc	Drawn By *	



Title SW input filter		
Size A4	Document Number ETON G3 PCB V07 2015.01.15	Revision 1
Date 16.05.2017	Sheet 1 of 1	
File SW_IN.SchDoc	Drawn By *	

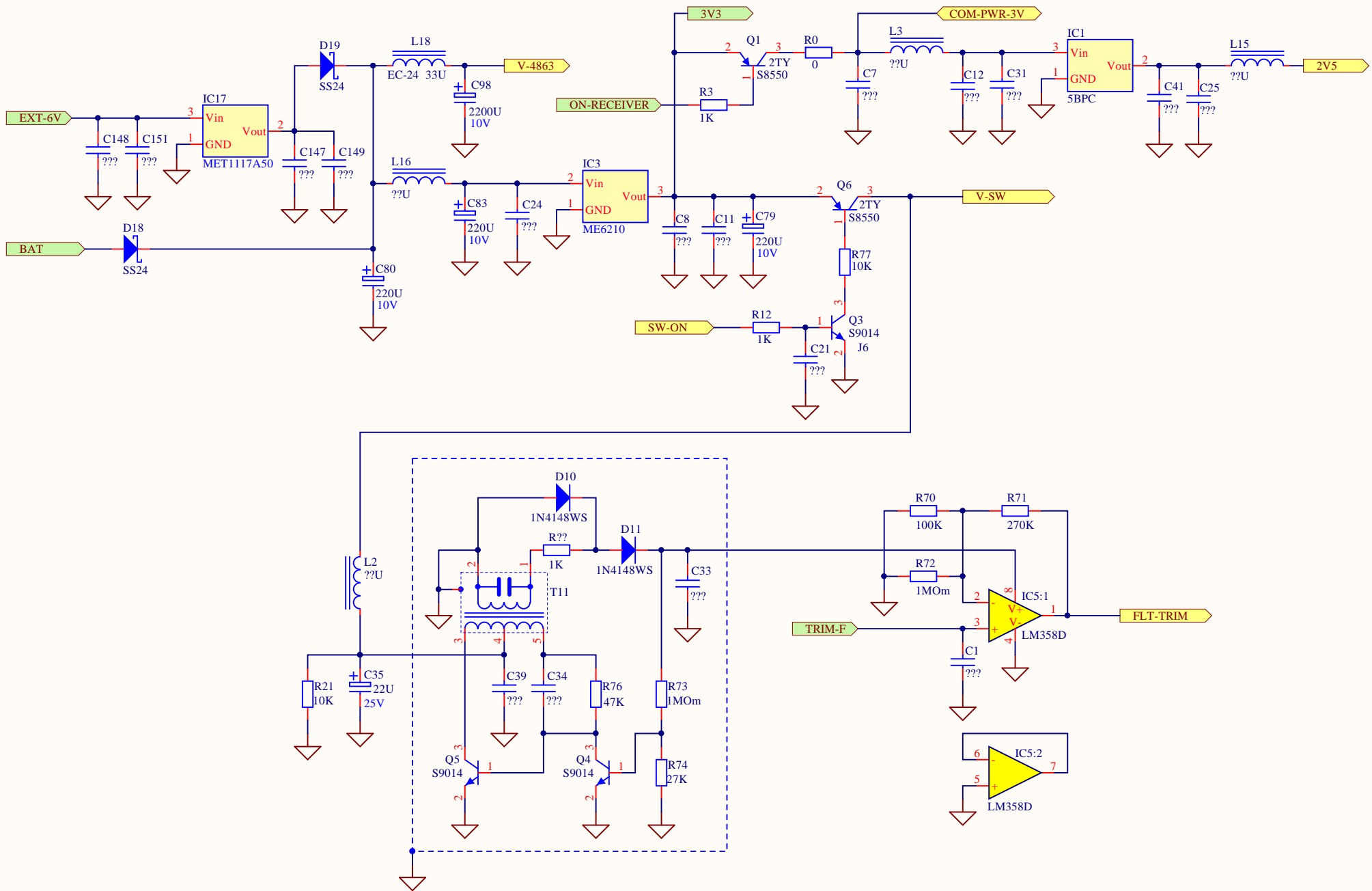


Title AIR input		
Size A4	Document Number ETON G3 PCB V07 2015.01.15	Revision 1
Date 16.05.2017	Sheet 1 of 1	
File AIR_IN.SchDoc	Drawn By *	



C137 & C138 - ПОЛЯРНСТЬ!!!

Title Audio		
Size A4	Document Number ETON G3 PCB V07 2015.01.15	Revision 1
Date 16.05.2017	Sheet 1 of 1	
File Audio.SchDoc	Drawn By *	



Title Power		
Size A4	Document Number ETON G3 PCB V07 2015.01.15	Revision 1
Date 16.05.2017	Sheet 1 of 1	
File PWR.SchDoc	Drawn By *	