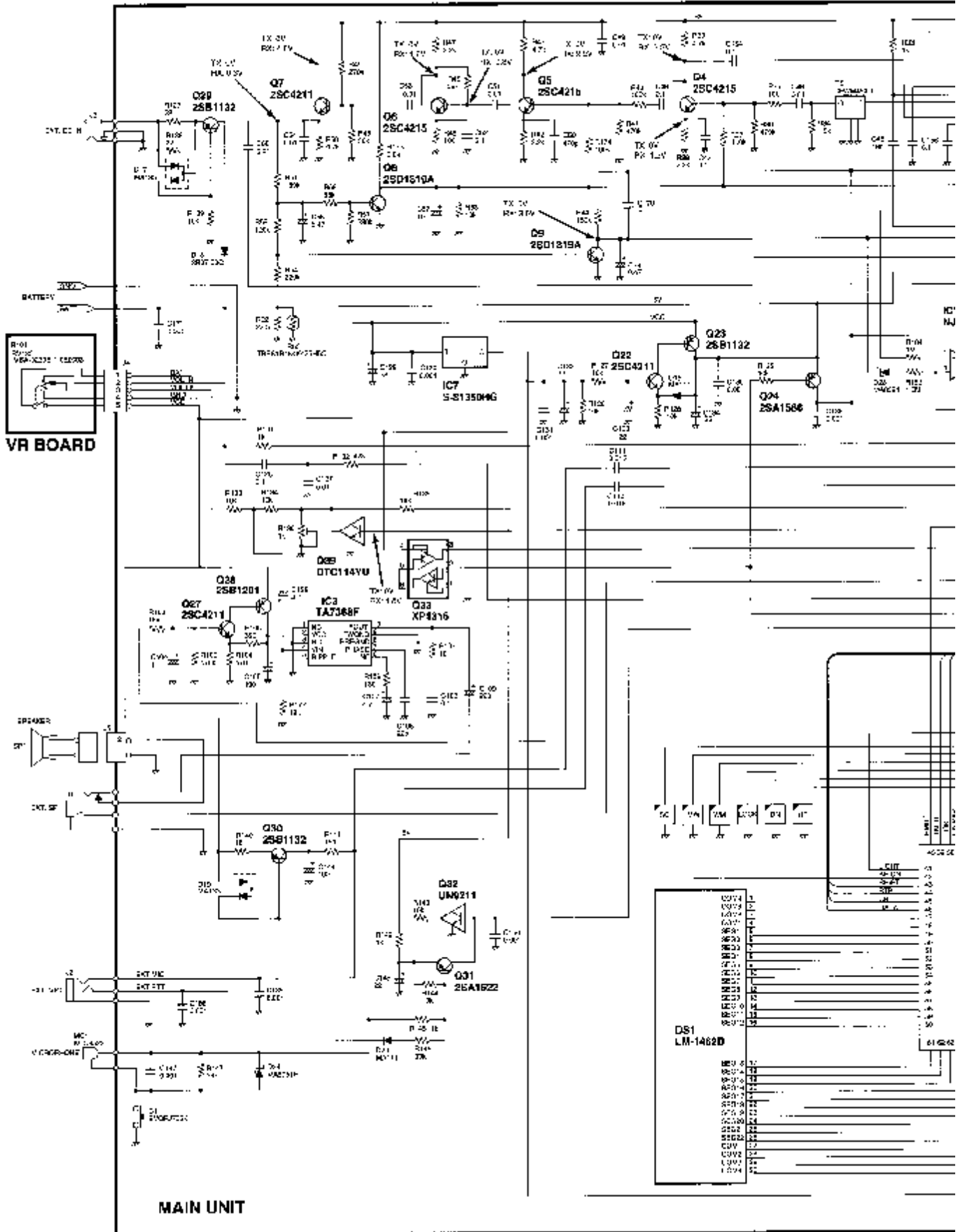
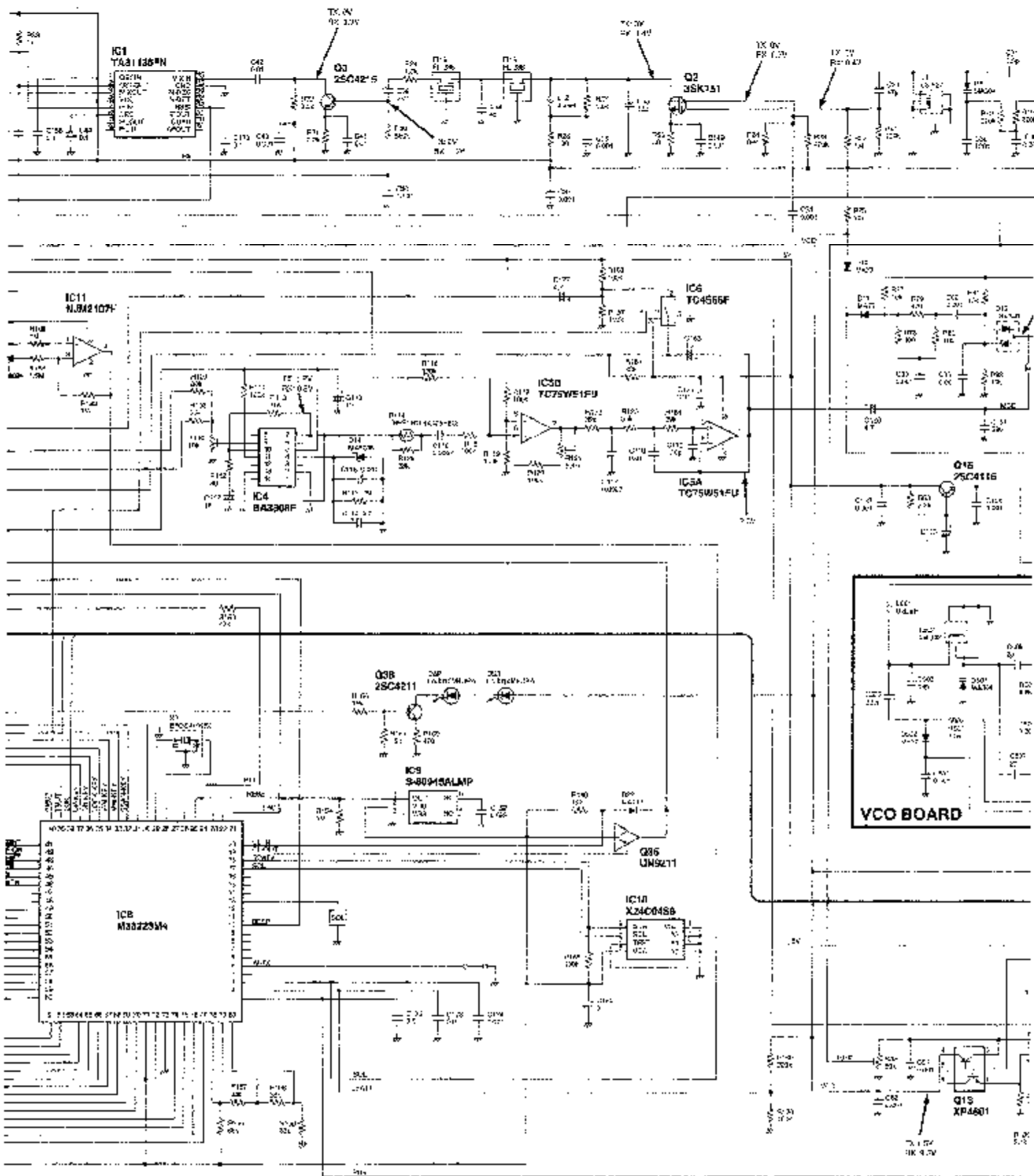
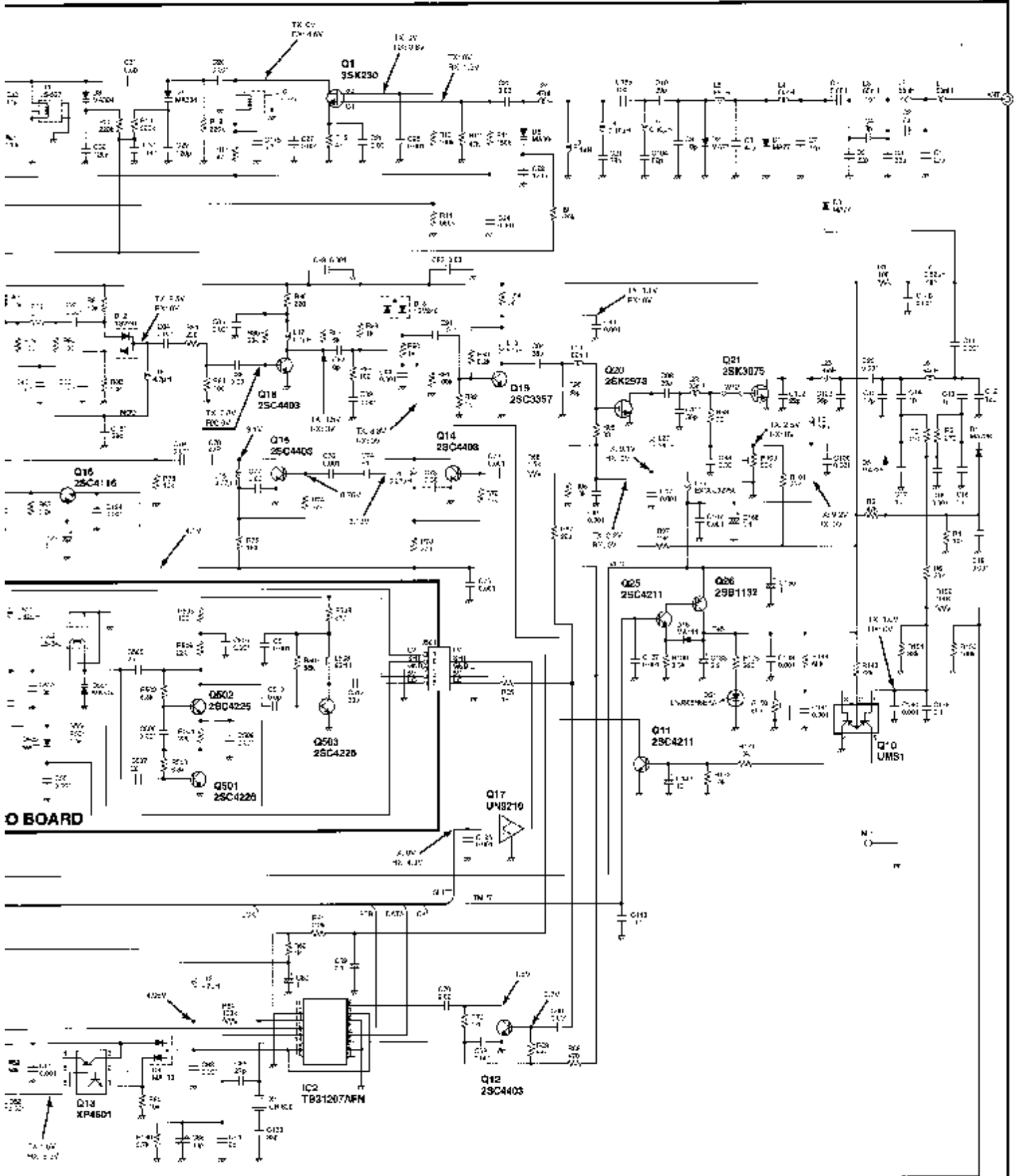


SECTION 11 VOLTAGE DIAGRAM







O BOARD